

DECORATIVE FLUORESCENT CEILING FIXTURE ASSEMBLY & INSTALLATION INSTRUCTIONS

Please read carefully and save this instructions sheet, as you may need them at a later date .

CAUTION

Turn off the main power at the circuit break before installing the fixture ,in order to prevent possible shock

Please read carefully and save these instructions ,as you may need them at a later date .

GENERAL

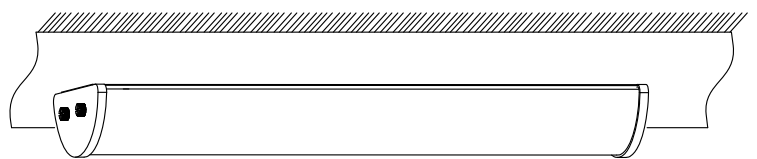
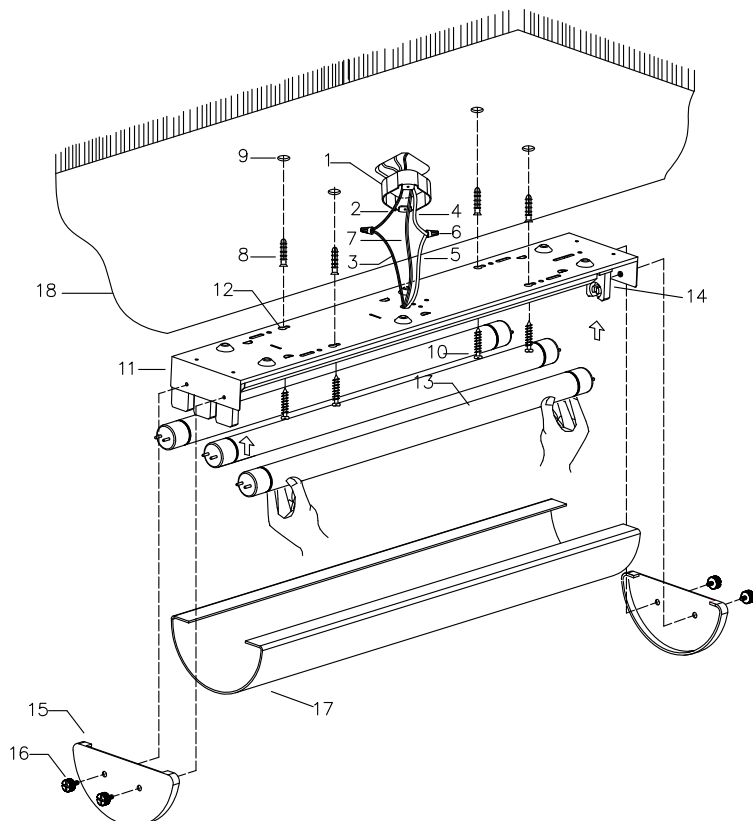
All electrical connections must be in accordance with local and national electrical code (N.E.C) standards. if you are unfamiliar with proper electrical wiring connections obtain the services of a qualified electrician.

Remove the fixture and the mounting package from the box and make sure that no parts are missing by referencing the illustrations on the installation .

ASSEMBLY AND INSTALLATION

1. Turn off the power
2. Remove the two decorative nuts (16) from one of the end caps (15). Remove the end caps (15) and the acrylic lens (17) from the outlet box (1).
3. Pull the supply wires (2)&(4) out from the outlet box(1)
4. Position your fixture over the outlet box (1). Make the location of the four KEYHOLE SLOTS(12) located on the fixture body(11) .Be sure to make only the narrow parts of the KEYHOLE SLOTS(12). Remove the fixture body(11) from the ceiling .Drill the four holes using the appropriately sized drill bit .Insert the provided ceiling anchors (10) into the holes.
5. Make the wiring connections: connect the fixture ground wire (7) to the outlet box(1) ;connect the white supply wire (4) to the white fixture wire(5) ; connect the black supply wire(2) to the black fixture wire(3) using wire connectors (6). Carefully tuck all wires back into the outlet box (1)
6. Feed the four anchor screws(10) through the narrow part of slots (12). Tighten the anchor screws (10) into the ceiling until the fixture body(11) is flush with ceiling.
7. Install the fluorescent tube lamp(13) into the lamp holder (14). Do not recommend wattage.
8. Place the acrylic lens (17) over the fixture body(11). Replace end caps (15) onto the fixture body(11), and secure it using the two decorative nuts(16)

INSTALLATION IS NOW COMPLETED.



- 1.OUTLET BOX
- 2.BLACK SUPPLY WIRE
- 3.BLACK FIXTURE WIRE
- 4.WHITE SUPPLY WIRE
- 5.WHITE FIXTURE WIRE
- 6.WIRE CONNECTOR
- 7.FIXTURE GROUND WIRE
- 8.CEILING ANCHOR
- 9.DRILLED HOLES
- 10.ANCHOR SCREW
- 11.FIXTURE BODY
- 12.KEY HOLES
- 13.FLUORESCENT TUBE LAMP
- 14.LAMP HOLDER
- 15.END CAP
- 16.DECORATIVE NUT
- 17.ACRYLIC LENS
- 18.CEILING

